

- Order
- Inquiry

**SL GG-HSW**

**Position**  
\_\_\_\_\_ / \_\_\_\_\_

**Required delivery week:** \_\_\_\_\_

**1. Number of units**  
\_\_\_\_\_ pieces

**2. Number of panels (view from inside)**  
\_\_\_\_\_ left direction  
\_\_\_\_\_ right direction

**3. Glass**  
 10 mm TSG clear  
 12 mm TSG clear

**4. Finish**  
of panel profile:  
 silver anodised EV 1  
 white powdercoating (RAL 9016)  
 RAL \_\_\_\_\_  
or  
 panel cladding stainless steel

**5. Plan view**  
Please provide a detailed plan view with all necessary references to ensure correct sizes for the unit.  
  
Please indicate the required passdoors, hardware and opening direction of the doors.  
Please indicate the stacking bays.

Remarks

Client:

Tel: \_\_\_\_\_ Fax: \_\_\_\_\_

Contact person \_\_\_\_\_

Ref: \_\_\_\_\_

Quotation number: \_\_\_\_\_

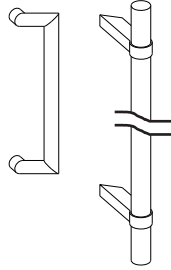
Delivery address: (if different to client) \_\_\_\_\_

**6. Hardware choice: Solarlux Design handle stainless steel**

pull handle options:

SL pull handle TG (inside and outside)

SL pull bar (inside and outside):  
 450mm (2 fixing points)  
 900mm (2 fixing points)  
 1800mm (3 fixing points)

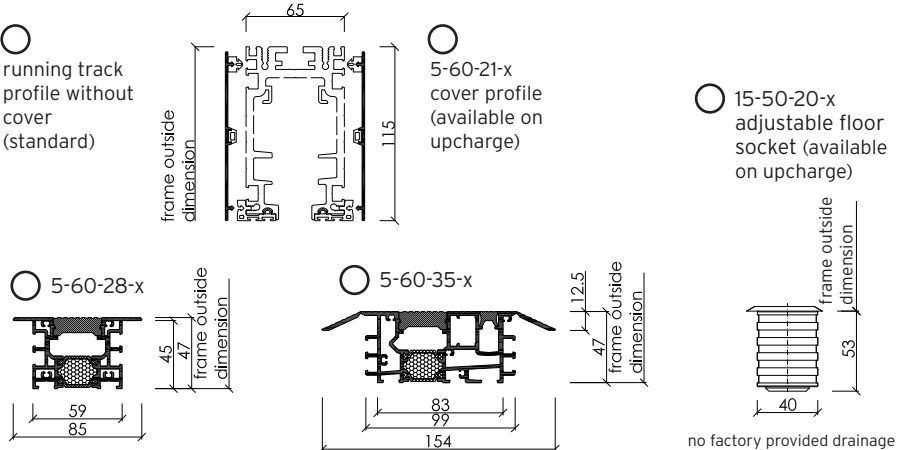


**7. Please choose profile variants**

running track profile without cover (standard)

5-60-21-x cover profile (available on upcharge)

15-50-20-x adjustable floor socket (available on upcharge)



no factory provided drainage

**8. Drawing**

**Elevation from inside**

External frame size (with): \_\_\_\_\_ mm

External frame size (height): \_\_\_\_\_ mm

number of panels and opening direction

**Plan view**

Outside

Inside

panel shown in open position (stacking position)

01/2011- Subject to technical changes without notice