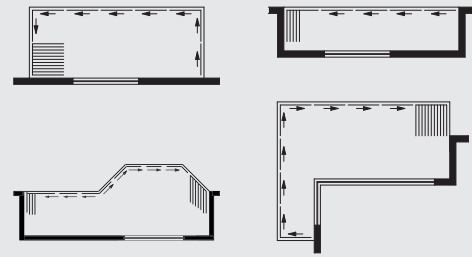


FLOOR TRACKS



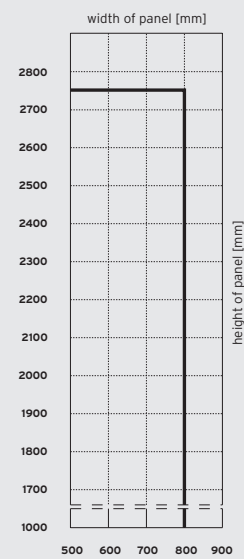
CONFIGURATION VARIANTS



VERTICAL SECTION



PANEL SIZE CHART



VARIANTS

- Available as top hung panels
- Panels can be ordered to open either internally or externally, to the left and/or right

PROFILE SYSTEM

- Profile thickness 31 mm
- All glass slide and turn system
- No vertical frames
- Permanently vented system

FITTINGS

- No protruding runner and guide tracks
- Concealed fittings for one hand operation
- Integrated 2-step-locking
- Patented one handed operation utilizing stainless steel cable control
- Extensive layout options due to mobile carrier which can be manoeuvred through all angles from 90°-180°
- No parking station for panels required

GLAZING

- Glazing with single pane safety glass
- Glass thickness 8, 10, 12 and 15 mm available

SURFACE FINISH

- Powder coating to RAL
- Anodised aluminium to EURAS

MAXIMUM PANEL SIZES

- 800 x 2750 mm
- Panel weight up to 65 kg
- Special sizes on request
- The total element width is unlimited



56-0210381 / 10.2009 / subject to technical changes



SLIDE AND TURN SYSTEM
SL 25XXL

 **SOLARLUX**[®]
glass in motion

 **SOLARLUX**[®]



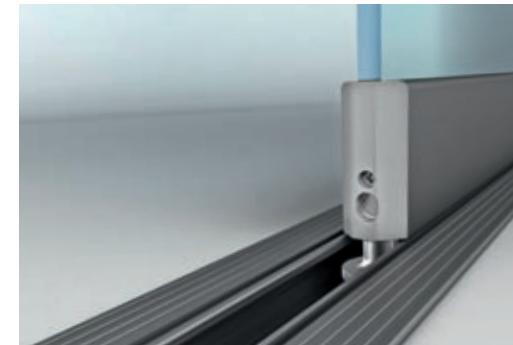
ENGINEERED

Carriers with twin ball bearing runners and 65 kg load bearing, guarantee that the glass panels slide extremely smoothly.



BARRIER FREE

The flush floor track ensures barrier free living for both patio or balcony.



TRANSPARENCY

The SL 25XXL frameless system is completely transparent whilst at the same time providing protection from rain and reducing noise.



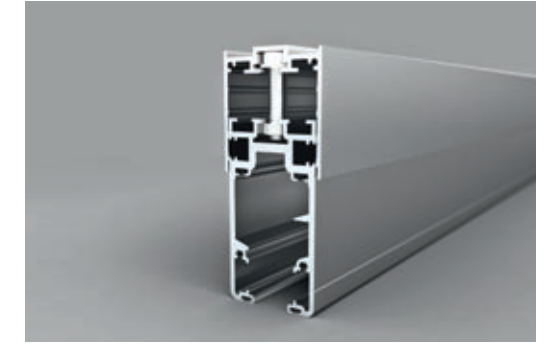
SAFETY

The single pane safety glass, which can accommodate glazing thicknesses between 8 - 15 mm, provides ample for high buildings.



HEIGHT ADJUSTMENT

The height compensation profile allows adjustment of up to 35 mm for the panels even after installation.



VENTILATION

The lockable two-step ventilation allows controlled air circulation (optional).



OPENING

The release cable and knob provide easy internal and external one hand operation.



SECURITY

As an alternative to the cable release a brushed stainless steel door handle can be fitted for added security (optional).

